

PRODUCT FEATURES

- Crafted by skilled Italian glass artisans
- Elegant and simple design fires light up for a non-offensive glare-free lighting experience
- Ideal for living room lighting, bedroom lighting and dining room lighting applications
- Available lamping options include energy efficient LED or no-lamp, leaving you the option to light this fixture with your preferred lamping
- Fully dimmable LED lamping option creates the desired ambiance
- Protected by a 1-year warranty



Crystal

LAMPING

Rated for (4) 60 watt max, E26 medium base lamps (Lamp Not Included). LED includes (4) 120 volt 9.5 watt, 1800 delivered lumens, 2700K, medium base LED A19 lamps. Dimmable with most LED compatible ELV and TRIAC dimmers.



Crystal

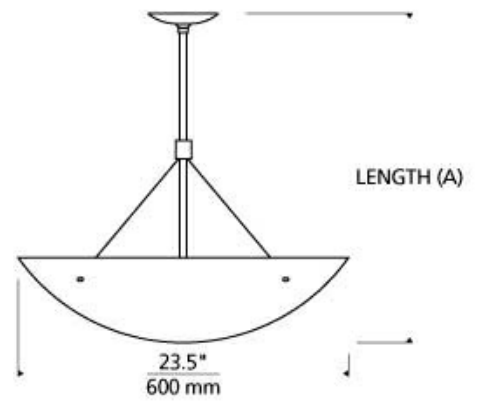
ORDERING INFORMATION

700TRAS	SHAPE OR SIZE	LENGTH (A)	COLOR	FINISH	LAMP
	23 23" DIAMETER	24 24" 36 36"	C CRYSTAL	S SATIN NICKEL	NO LAMP -LED927 A19 LED 90 CRI 2700K 120V (T20/T24)

TRACE SUSPENSION 23

SPECIFICATIONS

HARDWARE MATERIAL	Metal
SHADE MATERIAL	Glass
NET WEIGHT	23.5 lbs
HEIGHT	24in
WIDTH	23.5in
LENGTH	23.5in
UP LIGHT / DOWN LIGHT / BOTH?	
WET LISTED	
DAMP LISTED	Yes
DRY LISTED	
MIN. HANGING HEIGHT	24in
MAX HANGING HEIGHT	24in
TOTAL CORD LENGTH	
TOTAL STEM LENGTH	
STEM QTY	
SLOPED CEILING ADAPTABLE?	Yes
GENERAL LISTING	ETL Listed
INCLUDES	



LAMPING SPECIFICATIONS

	LED LAMP	INTEGRATED LED	NON LED	NO LAMP
DELIVERED LUMENS	1800			
WATTS	9.5			
MAX WATTAGE PER BULB	60W			60W
INPUT VOLTAGE	120V			120V
DIMMING TYPE*	ELV, TRIAC			ELV, TRIAC
CCT	2700K			
CRI	90 CRI			
LED LIFETIME				
L70				
AVERAGE BULB HOURS	25000			
FIELD SERVICEABLE LED				
LAMP BASE	E26 Medium Base			E26 Medium Base
LAMP SHAPE	A19			A19
LAMP INCLUDED?	Y			N
WARRANTY**	1 Year			1 Year

T20 / T24 INFORMATION

	Integrated LED	Replacement LED Lamp	No Lamp *
<p>This product can be used to comply with California Building Energy Efficiency Standards 2016 Title 24 Part 6.</p>			
<p>This product can be used to comply with California Appliance Efficiency Standards 2016 Title 20 and may be shipped to and sold in California.</p>			

* If a light fixture or component does not include a lamp or light source, it is the responsibility of the customer to select a lamp that meets the T24 and T20 requirements.

