

# ORBEL WALL

## PRODUCT FEATURES

- Inspired by Mid-Century modern art, the Orbel wall sconce features an elongated metal rectangle that supports a frosted sphere of light
- 13" tall and 5" wide
- and available in three modern finishes, aged brass, matte black and polished nickel
- Complete the look with other fixtures in the Orbel family, such as the flush mount, bath light and pyramid or round pendants
- Lamping options are compatible with most dimmers
- Protected by a 1-year warranty. please visit the "About Us" Page on [techlighting.com](http://techlighting.com) for more for warranty details

## LAMPING

Rated for (1) 5 watt max. G9 Bi-Pin lamp (Not Included).



Brass  
(Aged Brass not shown)



Brass  
(Aged Brass not shown)



Polished Nickel



Matte Black

## ORDERING INFORMATION

700WSOBL FINISH

LAMP

R AGED BRASS  
B MATTE BLACK  
N POLISHED NICKEL

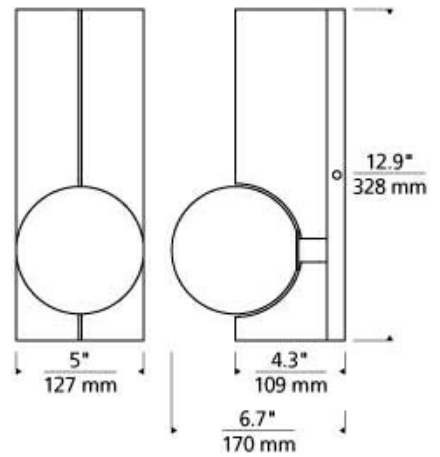
NO LAMP

# ORBEL WALL



## SPECIFICATIONS

HARDWARE MATERIAL	Metal
SHADE MATERIAL	Glass
NET WEIGHT	3.5 lbs
HEIGHT	12.9in
WIDTH	6.7in
LENGTH	5in
MIN. EXTENSION FROM WALL	6.7in
UP LIGHT / DOWN LIGHT / BOTH?	
WET LISTED	
DAMP LISTED	Yes
DRY LISTED	
UP / DOWN	
HORIZONTAL / VERTICAL	
WALL / CEILING MOUNT	
SLOPED CEILING ADAPTABLE?	No
GENERAL LISTING	ETL Listed
ADA COMPLIANT	
INCLUDES	



## LAMPING SPECIFICATIONS

	LED LAMP	INTEGRATED LED	NON LED	NO LAMP
DELIVERED LUMENS				
WATTS				
MAX WATTAGE PER BULB				5W
INPUT VOLTAGE				120V
DIMMING TYPE*				ELV, TRIAC
CCT				
CRI				
LED LIFETIME				
L70				
AVERAGE BULB HOURS				
FIELD SERVICEABLE LED				
LAMP BASE				LED Bi-Pin
LAMP SHAPE				G9
LAMP INCLUDED?				N
WARRANTY**				1 Year

## T20 / T24 INFORMATION

	Integrated LED	Replacement LED Lamp	No Lamp *
This product can be used to comply with California Building Energy Efficiency Standards 2016 Title 24 Part 6.			
This product can be used to comply with California Appliance Efficiency Standards 2016 Title 20 and may be shipped to and sold in California.			

\* If a light fixture or component does not include a lamp or light source, it is the responsibility of the customer to select a lamp that meets the T24 and T20 requirements.

