

Name: Siam - 200

Design: Joana Bover / 2010

Typology: Ceiling lamp

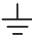



Environment: Indoor

Technical description:


Ceiling lamp providing diffused light through a translucent shade composed of hand wrapped polyester blend ribbon, with structure finished in satin nickel, in two size options. Ribbon colors are available in white, cream and red. Frosted white polycarbonate diffuser is included. This ceiling lamp can be mounted to be partially superimposed upon themselves to create stylish combinations according to the clients' needs.



Lamps description

-  Grounding: compulsory
-  8 x 60 W E26 A15 INC
-  8 x 10 W E26 A19 LED
-  8 x 20 W E26 Triple CFL


Voltage: 120V~60Hz

 1 Box 84.65 x 21.65 x 86.61 inches

Vol.: 91.871 ft³

Weight: 275.58 lbs

Certifications:  

 Photometrics made according to the position the lights are shown in the catalogue and price list.

Ref Finishings

0332005PU Structure 01 Satin Nickel

0332005GU Structure 02 Satin Nickel

Lampshade:

P-690CU White Translucent Ribbon

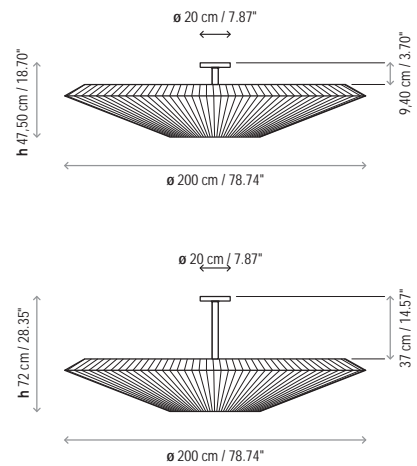
P-691CU Cream Translucent Ribbon

P-692CU Red Translucent Ribbon

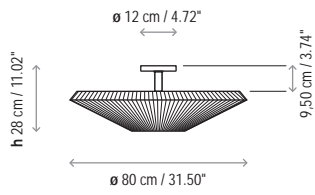
This ceiling lamp allows several individual or group compositions.

Customizable

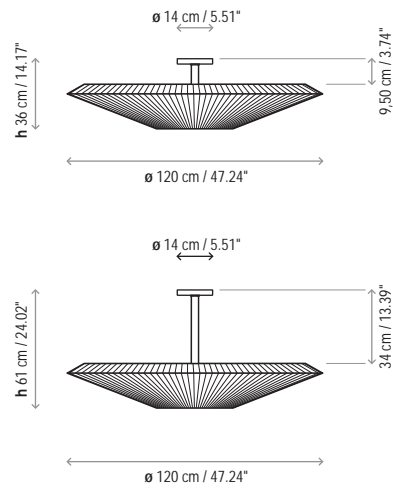
Measures



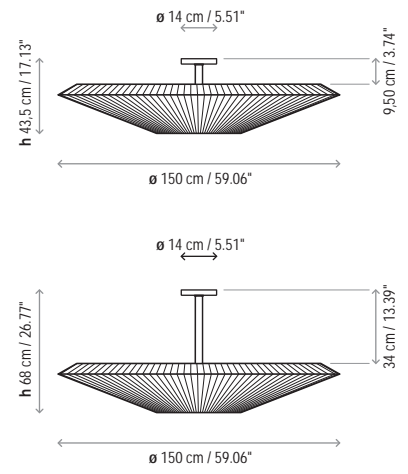
Siam - 80



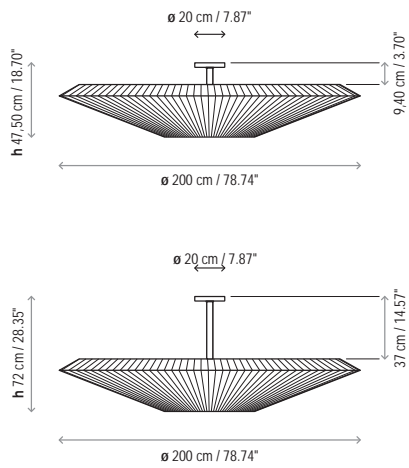
Siam - 120



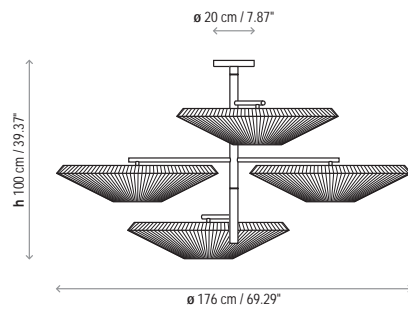
Siam - 150



Siam - 200



Siam - 4 Luces



Siam - 6 Luces

