



FAVILLA WALL/CEILING/SPOT

Design by Manuel Vivian

Adjustable wall or ceiling lamp in aluminium. Available in two colours. Built-in LED light source.

Typology: WALL/CEILING LAMP

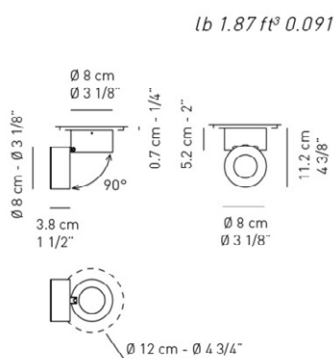
Ratings

- Built in **LED** module
- Adjustable
- Installs over 4 in. octagonal J-box
- Supply voltage 120V AC
- Switch mode: on-off
- Dimmable ELV trailing edge phase cut LED driver
- Die cast aluminium body, painted
- Closing glass

Product code composition

FAVILLA / LED 6,2W INCLUDED / Integral driver INCLUDED

For optional drivers and dimming technology please refer to our website or contact our representatives.



Zone	Type	Article	System compatibility	Finish	LED colour temperature	Beam options
K	6	105	0	04 matt black	1 3000 K	1 22°
				07 white 9016 matt		3 45°

DRY LOCATION CRI90 dimmable ELV TRAILING EDGE PHASE CUT 120V_{AC} **LED** 515 lm 83 lm/W

example composition code | K | 6 | 105 | 0 | 04 | 1 | 3

for optional accessories/drivers or dimming technology please refer to our pricelist or contact our representatives

Available colors



04
Matt black



07
White 9016 matt

CUSTOMER _____ NOTES _____

K610500_1_

NOTICE:

Luminous flux for all LED luminaires is shown at source level.
 Technical data could be subject to alteration without notice. Axo Light does not provide legal guarantee for the accuracy of this data sheet.