

Name: Mei Oval - 02

Design: Joana Bover / 2007

Typology: Wall lamp

Environment: Indoor

Technical description:

Wall sconce releasing warm diffused light through oval lamp shade available in white, cream, or black translucent hand wrapped polyester blend ribbon, or white cotton. Brass structure mounted on iron back plate is available in various finishes: satin nickel, brilliant chrome, dark leather with nickel trim, caramel leather with nickel trim, or chrome black glass. Upper glass diffuser is not suitable for compact bulb lighting, due to their extended length. The standard wall light shade not include diffuser. Additional upper diffusers are available for order.



Lamps description

	Grounding: compulsory
	1 x 60 W E26 A15 INC
	1 x 5 W E26 A15 LED
	1 x 13 W GU24 T2 CFL
	1 x 10 W GU24 A15 LED

Voltage: 120V~60Hz

1 Box 17.72 x 17.72 x 13.78 inches

Vol.: 2.5038 ft³

Weight: 6.61 lbs

Certifications:

Shade with upper difusser can only go with INCANDESCENT bulbs. NOT suitable with compact bulbs.

Standard shade does not include the black glass diffuser. See Mei Oval mesa shade for reference.

Photometrics made according to the position the lights are shown in the catalogue and price list.

Ref	Finishings
1125005U	Satin Nickel
1125006U	Brilliant Chrome
1125060U	Nickel Dark Leather
1125061U	Nickel Caramel Leather
1125017U	Chrome Black Glass
1125005GU	Satin Nickel GU24
1125006GU	Brilliant Chrome GU24
1125060GU	Nickel Dark Leather GU24
1125061GU	Nickel Caramel Leather GU24
1125017GU	Chrome Black Glass GU24

Surface back box 6.6" x 3"

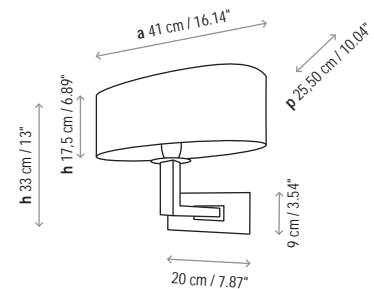
Lampshade 16.14"x6.89"x5.91"
Without diffuser

P-551	White Translucent Ribbon
P-552	Cream Translucent Ribbon
P-553	Black Translucent Ribbon
P-554	White Cotton

Lampshade 16.14"x6.89"x5.91"
With diffuser

P-551D	White Translucent Ribbon
P-552D	Cream Translucent Ribbon
P-553D	Black Translucent Ribbon
P-554D	White Cotton

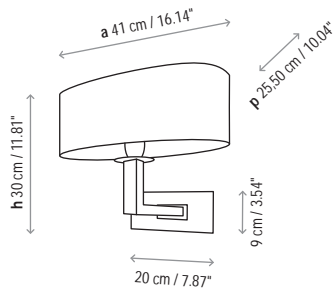
Measures



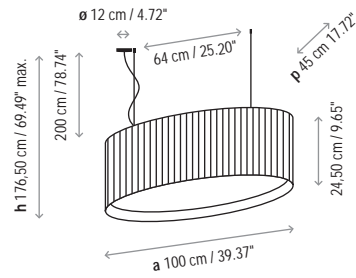
Customizable

IMPORTANT NOTE:
Must mount horizontally on 2" x 4" rectangular junction box. / Optional cover plate available for standard junction box mount.

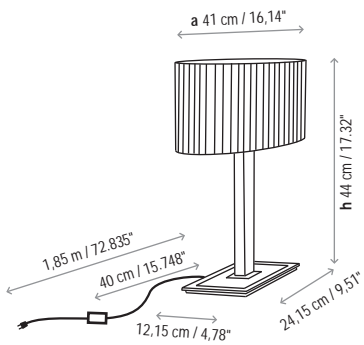
Mei Oval - 02



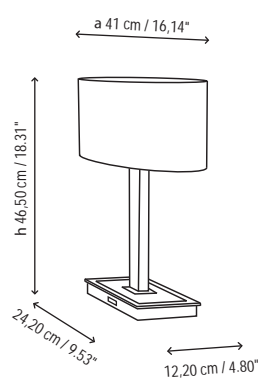
Mei Oval



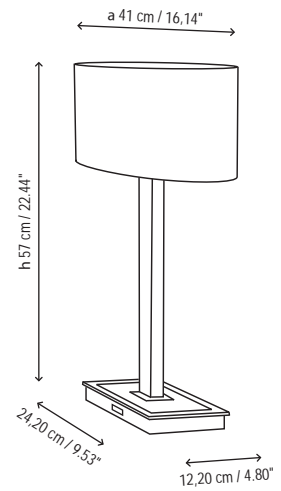
Mei Oval - T



Mei Oval - T / USB



Mei Oval - T2 / USB



Mei Oval - P

