

Name: Mei - 38

Design: Joana Bover / 2004

Typology: Pendant lamp

Environment: Indoor

Technical description:

Pendant lamp providing diffused light through a translucent shade of hand wrapped polyester blend ribbon. The iron frame is available in brown or black, as well as a satin nickel finish. Height can be easily adjusted via tensor wires. The electrical connection is transparent, and the included diffuser is a frosted injection-molded PVC lens. Available in larger formats.

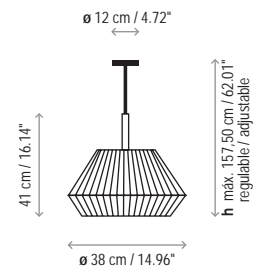


Lamps description

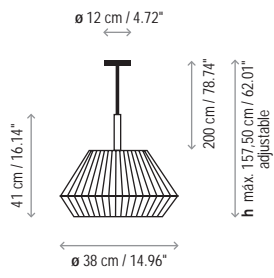
	Grounding: compulsory
	1 x 60 W E26 A15 INC
	1 x 5 W E26 A15 LED
	1 x 14 W E26 Triple CFL
Voltage: 120V~60Hz	
	1 Box 15.75 x 15.75 x 9.84 inches
Vol.: 1.4126 ft ³	
Weight: 4.41 lbs	
Certifications:	
	Photometrics made according to the position the lights are shown in the catalogue and price list.

Ref	Finishings
4219903U	Brown Iron
4219904U	Black Iron
4219905U	Satin Nickel
Lampshade 12.60" x 7.48" x 7.87"	
P-495C	Red Translucent Ribbon
P-504C	Cream Translucent Ribbon
P-505C	White Translucent Ribbon
Diffuser included	
Transparent connection	
Customizable	

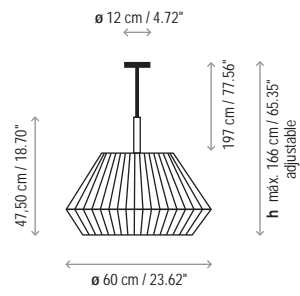
Measures



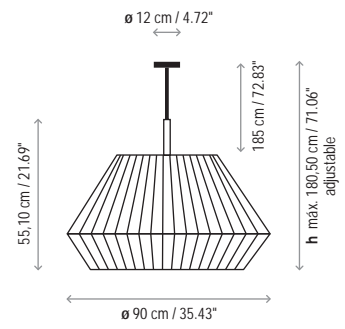
Mei - 38



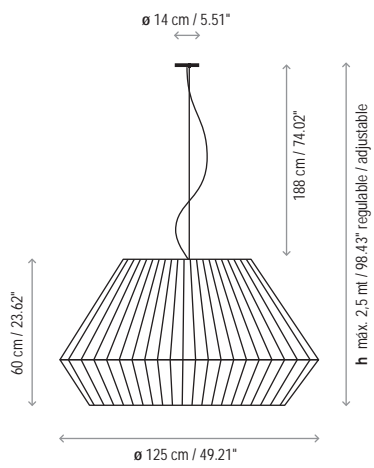
Mei - 60



Mei - 90



Mei - 125



Mei - 150

