

Iceberg, Pure *Light*

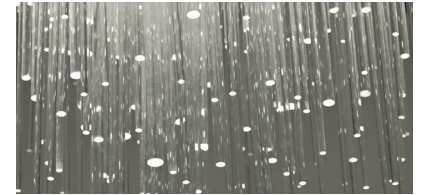
design Dodo Arslan
terzani.com



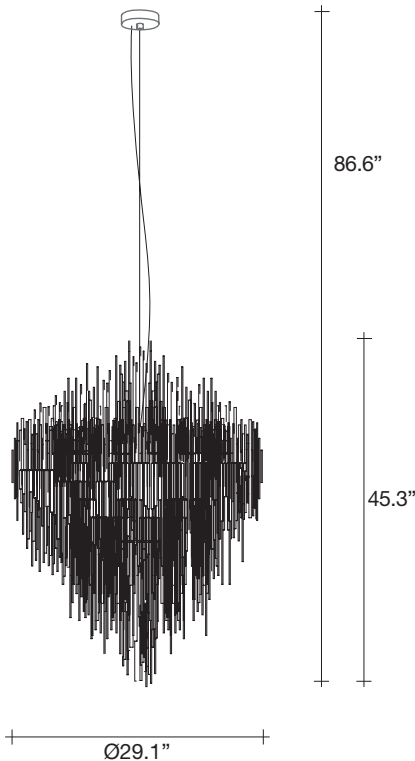
Type		suspension
Materials		metal
Finishes		Code
Clear		0P60S E8 A9

Inspired by the natural beauty of ice crystals, this new suspension light creates a specular, luminous piece through the use of over 3.600 plexyglass tubes. Similar to light refracting through water, the illumination created by Iceberg is both brilliant and natural, meticulously handcrafted, each light is a unique sculpture; sparkling, multifaceted and powerful. Design Dodo Arslan.

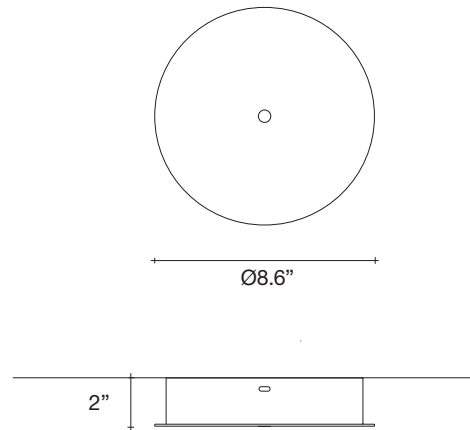
Light Source |



Body |



Canopy |



114.6



77



4x 30.3" x 13.8" x 10.4"
1x 29.9" x 29.9" x 23.6"