

## lei sospeso flat cutsheet

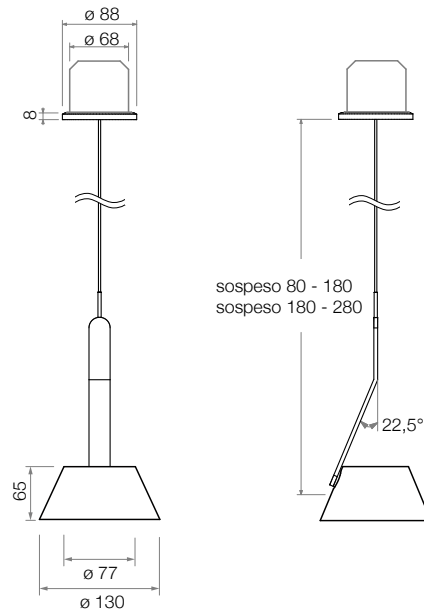
LED pendant luminaire with conical head. Version with a flat base for mounting on cavity or ceiling box, power supply with external power source (converter). Freely moveable through Occhio 3d-kinematics with two axes of rotation at an angle of 22.5° to each other, use via thermally insulated lampshade. Removable head for maintenance purposes, replaceable LED chip.

Lighting effect can be changed via adjustable iris aperture, alternatively an insert with soft edge glass for diffuse lighting effect is available, lampshade white matt, translucent.

Power 9 W switchable and dimmable via sensor button on the back of the head. Power supply via AC adapter (converter), cable rolled up in the base (can be deactivated).

The finishes of the aperture, cover, arm and base are freely configurable.

More versions: sospeso up (with surface mounted converter box), sospeso track (with track mounted converter box).



**materials light fixture**  
aluminium, steel  
chrome-plated, painted  
or anodised, plastic

**materials inserts**  
glass, stainless steel,  
optical plastic

**surface aperture,  
cover, base**  
chrome, matt chrome,  
glossy white (bianco),  
matt white,  
glossy black (nero),  
matt black, gold (only  
aperture, cover)

**surface body**  
chrome, matt chrome,  
matt white, matt black

**surface shade**  
matt white (translucent)

**rotatability head**  
360°

**rotatability body**  
360° (with stop)

**weight**  
max. 0,6 kg

**dimming function**  
via sensor button on  
the back of the head or  
external with trailing  
edge phase-cut dimmer  
(on demand: push  
button, 1-10 V, DALI)

**ECG (driver)**  
remote, driven by  
constant current  
source 48V DC /  
min. 11 W

### Occhio »next generation« LED

	U	48 V DC (min. 11 W)	color rend. index color temperature	CRI T	LED high color Ra 95 2700 K	Ra 95 3000 K	LED high flux Ra 85 3000 K	Ra 85 3500 K	Ra 85 4000 K
supply voltage									
average lifetime	t	> 50.000 h							
efficiency class	EEC	A + / A	recommended usage		residential and public		public		
power	P	9 W	luminous flux* LED	ø	900 lm	900 lm	1100 lm	1100 lm	1100 lm

\* Effectively measured values at operating temperature. Nominal values from LED manufacturer are up to 20 % higher.



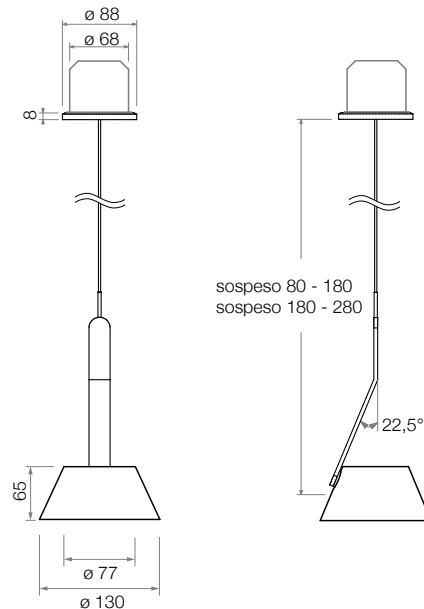
## lei sospeso flat »cc« cutsheet

LED pendant luminaire with conical head. Connected to a remote constant current source (driver). Freely moveable through Occhio 3d-kinematics with two axes of rotation at an angle of 22.5° to each other, use via thermally insulated lampshade. Removable head for maintenance purposes, replaceable LED chip.

Lighting effect can be changed via adjustable iris aperture, alternatively an insert with soft edge glass for diffuse lighting effect is available, lampshade white matt, translucent.

Power 9 W switchable and dimmable with trailing edge phase-cut dimmer, push button, DALI or 1-10 V (depends on driver). Cable rolled up in the base (can be deactivated).

The finishes of the aperture, cover, arm and base are freely configurable.



**materials light fixture**  
aluminium, steel  
chrome-plated, painted  
or anodised, plastic

**materials inserts**  
glass, stainless steel,  
optical plastic

**surface aperture,  
cover, base**  
chrome, matt chrome,  
glossy white (bianco),  
matt white,  
glossy black (nero),  
matt black, gold (only  
aperture, cover)

**surface body**  
chrome, matt chrome,  
matt white, matt black

**surface shade**  
matt white (translucent)

**rotatability head**  
360°

**rotatability body**  
360° (with stop)

**weight**  
max. 0,6 kg

**dimming function**  
with trailing edge  
phase-cut dimmer,  
push button, DALI or  
1-10 V (depends on  
driver)

**ECG (driver)**  
remote, driven by  
constant current source  
max. 250 mA /  
> 36 V DC

### Occhio »next generation« LED

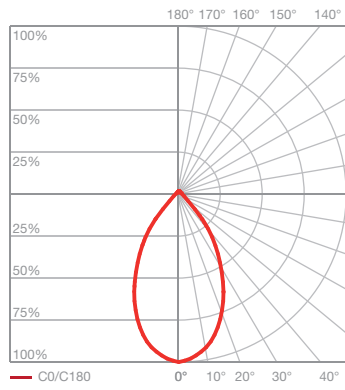
				LED high color		LED high flux			
<b>current</b>	I	max. 250 mA (> 36 V DC)	<b>color rend. index</b>	CRI	Ra 95	Ra 95	Ra 85	Ra 85	Ra 85
<b>average lifetime</b>	t	> 50.000 h	<b>color temperature</b>	T	2700 K	3000 K	3000 K	3500 K	4000 K
<b>efficiency class</b>	EEC	A + / A	<b>recommended usage</b>		residential and public		public		
<b>power</b>	P	9 W	<b>luminous flux* LED</b>	ø	900 lm	900 lm	1100 lm	1100 lm	1100 lm

\* Effectively measured values at operating temperature. Nominal values from LED manufacturer are up to 20 % higher.



# lei

## lighting effects LED

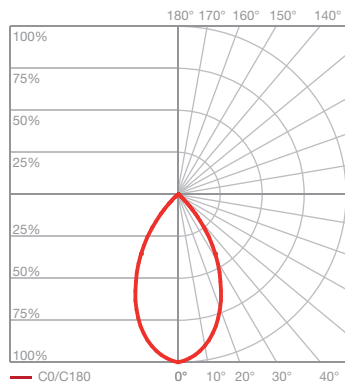


### lei

directed light  
beam angle approx. 60°

insert: iris

luminous flux: high color 9 W 610 lm  
high flux 9 W 740 lm



### lei SE

directed light with soft contour of  
the beam angle  
beam angle approx. 60°

insert: soft edge glass

luminous flux: high color 9 W 560 lm  
high flux 9 W 680 lm

# lei sospeso flat installation diagram

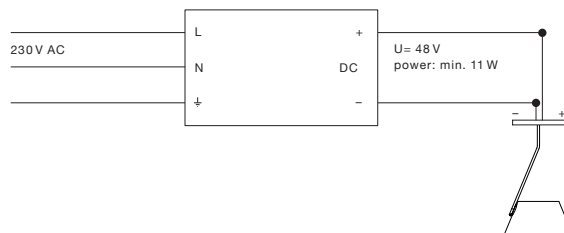
## Occhio converter for connection of 1 spotlight

48 V DC, max. 26 W  
L 105 × W 65 × H 25 mm  
art. no. 6Z 48 54 0Z

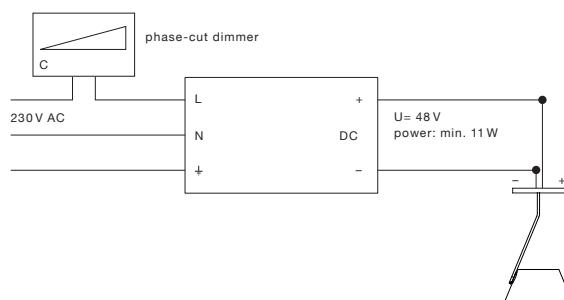


installation diagrams also valid  
for up and track versions

without external dimmer



dimming with phase-cut dimmer\*



## Mean Well collective converter

**LPF 90-48**  
for connection of max. 8 spotlights  
48 V DC, 90 W  
L 161 × W 61 × H 36 mm  
art. no. 6Z 48 18 80



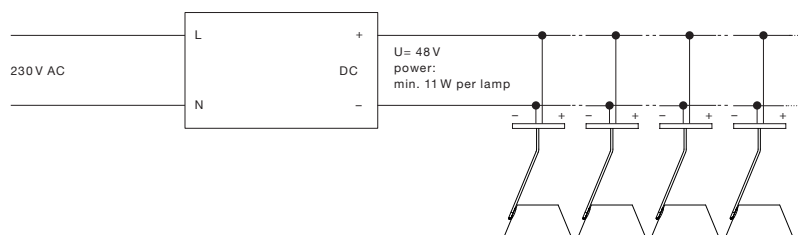
**CLG 150-48**  
for connection of max. 13 spotlights  
48 V DC, 150 W  
L 222 × W 68 × H 39 mm  
art. no. 6Z 48 81 50



**HLG 320H-48**  
for connection of max. 29 spotlights  
48 V DC, 320 W  
L 252 × W 90 × H 44 mm  
art. no. 6Z 48 67 00



without external dimmer



\*compatible dimmers: [www.occhio.de/dim\\_en](http://www.occhio.de/dim_en)