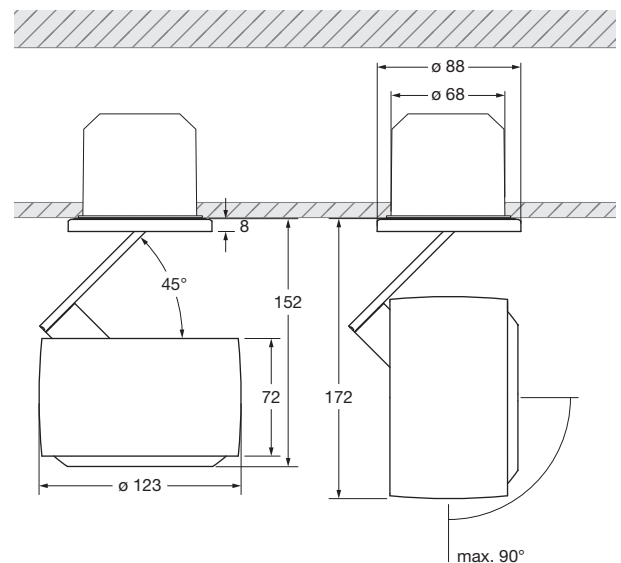


## Più RS alto 3d flat »cc« zoom datasheet

LED wall/ceiling spotlight with single-sided light output. Luminous power 32 W (26 W for the chrome version). Version with flat base for fitting on hollow ceiling or flush-mounted box with remote power supply unit, connection to external power source (driver). Dimmable via customer-supplied dimmable power supply unit. Movable in any direction thanks to Occhio 3D kinematics with two pivots set at an angle of 45° to each other. Continuous lighting effect adjustable from 20° to 60° using zoom lens, Occhio light module with replaceable LED.

Other versions: Più RS alto 3d track DALI (ceiling spotlight for track), Più RS basso (floor spotlight with controller) and Più RS terra (standing spotlight with controller).



dimensions in mm

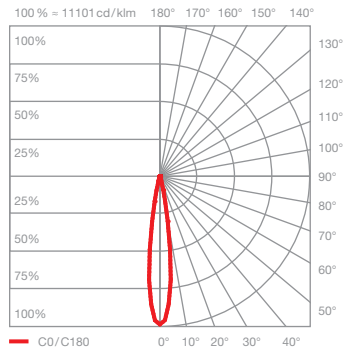
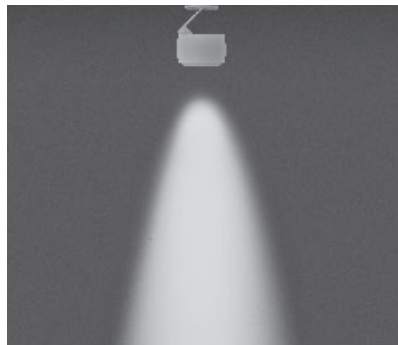
### technical data Più RS alto 3d flat »cc« zoom

<b>properties</b>	material	aluminium, steel – chrome-plated, painted or anodised, plastic, optical plastic, glass		
	turning range body	360° (with stop)		
	turning range head	360° (with stop)		
	weight	1.1 kg		
<b>surface</b>	head/base	gold, rose gold, bronze, shiny chrome, matt chrome, glossy white, matt white, matt black		
	body/cone glass	shiny chrome, matt chrome, matt white, matt black		
<b>Occhio light module</b>	average life time	> 50.000 hrs		
	energy efficiency class	A++ / A+		
	power	32 W (switchable 32 W / 26 W*)		
	color rendering index	perfect color; CRI Ra 97	high flux; CRI Ra 85	
	color temperature	2700 K, 3000 K	3000 K, 3500 K, 4000 K	
	recommended use	residential and commercial	commercial	
<b>electricity</b>	dimming	by trailing-edge phase-cut dimmer, button or DALI (depending on power supply unit)		
	power supply unit	remote; operation via constant-current source, max. 900 mA / > 36 V DC (max. 700 mA version chrome)		
	permitted operating conditions	max. 30°C for indoor use only		

\* version chrome



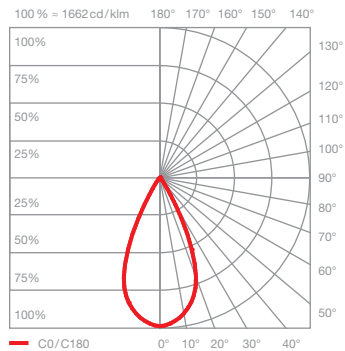
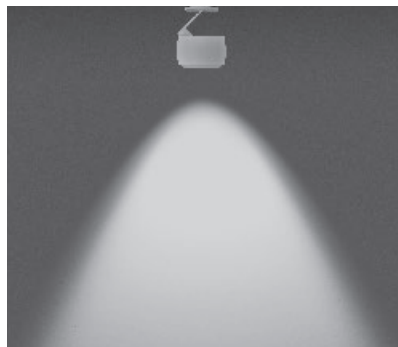
## Più RS alto 3d flat » cc « zoom lighting effects



**Più RS zoom 20°**  
directed light  
beam angle approx. 20°

inserts: zoom-lens

luminous flux:	perfect color	32 W	1450 lm
	high flux	32 W	2040 lm
	perfect color	26 W*	1180 lm
	high flux	26 W*	1610 lm



**Più RS zoom 60°**  
directed light  
beam angle approx. 60°

inserts: zoom-lens

luminous flux:	perfect color	32 W	1450 lm
	high flux	32 W	2040 lm
	perfect color	26 W*	1180 lm
	high flux	26 W*	1610 lm

\* version chrome