

Name: DANONA - 3 LUCES

Design: Joana Bover / 2002

Typology: Pendant lamp

Environment: Indoor

Technical description:

Pendant lamp with iron structure available in satin nickel, nickel with dark leather trim and nickel with light leather trim finishing. Lampshade available in cotton and white or cream translucent polyester blend hand wrapped ribbon.



Lamps description

| | |
|--|-----------------------|
| | Grounding: compulsory |
| | 3 x 100 W E26 A19 INC |
| | 3 x 10 W E26 A19 LED |
| | 3 x 18 W GU24 T2 CFL |
| | 3 x 12W GU24 A19 LED |

Voltage: 120V~60Hz

1 Box 13.78 x 17.72 x 64.96 inches

Vol.: 9.1783 ft³

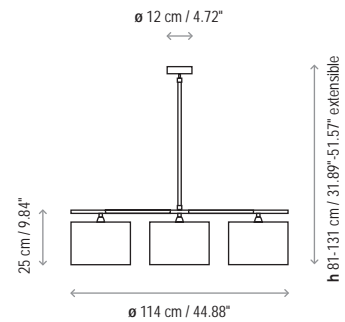
Weight: 13.23 lbs

Certifications:

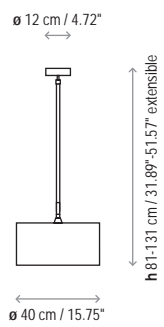
Photometrics made according to the position the lights are shown in the catalogue and price list.

| Ref | Finishings |
|---|-------------------------------|
| 4323105U | Satin Nickel |
| 4323160U | Nickel Dark Leather |
| 4323161U | Nickel Caramel Leather |
| 4323105GU | Satin Nickel / GU24 |
| 4323160GU | Nickel Dark Leather / GU24 |
| 4323161GU | Nickel Caramel Leather / GU24 |
| Lampshade 10.63" x 7.09" x 10.63" | |
| P-150 | Cotton |
| P-005C | Cream Translucent Ribbon |
| P-006C | White Translucent Ribbon |
| Extensions have a standard length of 23.62" | |
| Customizable | |

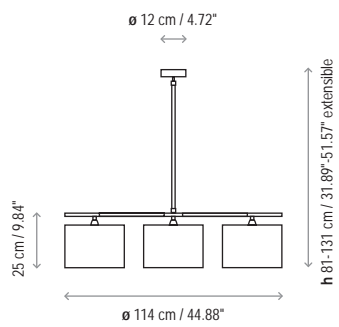
Measures



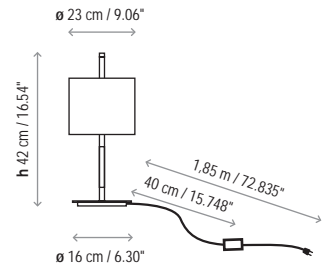
Danona - 1 Luz



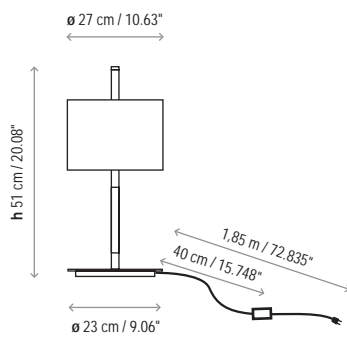
Danona - 3 Luces



Danona - Mini



Danona - Mesa



Danona - Pie

