

Name: Cornelia 02

Design: Joana Bover / 2013

Typology: Pendant lamp

Environment: Indoor

Technical description:

Fixed height interior pendant with iron stem and 8 adjustable iron arms which are available in Black, Red or White. Movement of arms is via 3 nuts on each arm in either Polished Brass or Chrome. The conical shades have a bottom opening in an atypical elliptical shape. Shade finish options are: White, Cream or Red Ribbon; White or Black Cotton; and White Cotton with Orange PVC interior, or Black Cotton with option of Orange, Silver or Gold PVC interior. The Cornelia is provided with bottom iron diffusers in Black or White. Each shade's diffuser can be easily maneuvered for maintenance. The height of the central stem can be modified upon request.

Lamps description


 Grounding: compulsory


 8 x 14 W E26 Triple CFL

 8 x 5 W E26 A15 LED


Voltage: 120V~60Hz

2 Boxes:

 1 Box 13.78 x 13.78 x 53.15 inches
Vol.: 5.8410 ft³ Weight: 28.66 lbs

 1 Box 24.02 x 24.02 x 19.69 inches
Vol.: 6.5685 ft³ Weight: 7.72 lbs

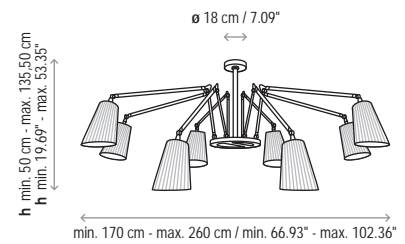
Certifications:  

 Photometrics made according to the position the lights are shown in the catalogue and price list.



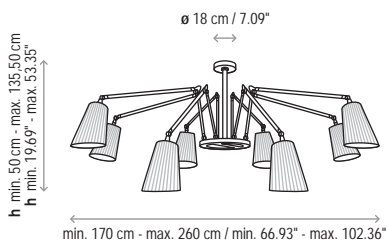
Ref	Finishings
2620210041U	White - Polished Brass
2620210044U	White - Chrome
2620210045U	Black - Polished Brass
2620210042U	Black - Chrome
Diffusers are included on the price of the luminaire	
Black/red fitting includes black diffuser	
White fitting includes white diffuser	
Cone-shaped shades 7.28" x 10.43" x 3.94"	
P-776	White Translucent Ribbon
P-777	Cream Translucent Ribbon
P-781	Red Translucent Ribbon
P-782	White Cotton
P-778	Black Cotton
P-779	White Fabric - Orange Inside
P-780	Black Fabric - Orange Inside
P-783	Black Fabric - Gold Inside
P-784	Black Fabric - Silver Inside
Customizable	

Measures

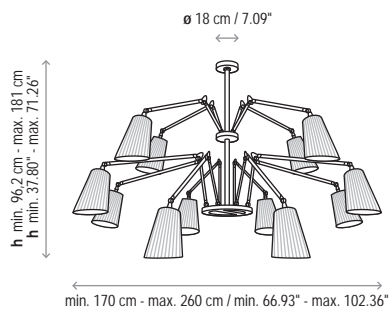


WARNING:
Do not place the shade horizontally to avoid the heat effects

Cornelia 02



Cornelia 03



Cornelia T

