

# CONTOUR TABLE

## DESCRIPTION

Contour's revealing and elegant open framed architecture captures warm LED illumination within a remarkably slender extruded aluminum structure. Intelligent and highly efficient, Contour's minimalist design has been refined to the bare essentials, creating a rich interior space for your personal belongings while providing an unobstructed view of its surroundings. Contour's premium wood and woven fabric interiors provide an inviting resting place for your books, precious objects, or for charging your mobile devices with its integrated USB port.

## FIXTURE TYPE

Table

## LIGHT SOURCE

(60x) High output LED array

## PRODUCT CODES

Contour Table SM White/White Oak):	CONT SML WHT/OAK
Contour Table SM White/Walnut):	CONT SML WHT/WAL
Contour Table SM White/Pearl):	CONT SML WHT/PEARL
Contour Table SM Graphite/White Oak):	CONT SML GPT/OAK
Contour Table SM Graphite/Walnut):	CONT SML GPT/WAL
Contour Table SM Graphite/Coal):	CONT SML GPT/COAL

Contour Table LG White/White Oak):	CONT LRG WHT/OAK
Contour Table LG White/Walnut):	CONT LRG WHT/WAL
Contour Table LG White/Pearl):	CONT LRG WHT/PEARL
Contour Table LG Graphite/White Oak):	CONT LRG WHT/OAK
Contour Table LG Graphite/Walnut):	CONT LRG WHT/WAL
Contour Table LG Graphite/Coal):	CONT LRG WHT/COAL

## LIGHT CONTROL

Full range dim control

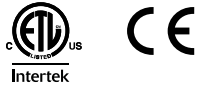
## FEATURES

Glare-free illumination  
USB charging port

## SPECIFICATIONS

Voltage: 120/220V 60Hz  
Power Consumption: 8W MAX  
Color temperature: 3000K  
Luminosity: 585 Lumens  
Luminaire efficacy: 76 Lumens/Watt  
Color Rendition Index: 80+ CRI  
50K hour lifespan  
Cord length: 8' (244cm)  
Global multi-plug adapter available  
1 year warranty

## CERTIFICATIONS



## PACKAGING WEIGHT AND DIMENSIONS

CONTOUR TABLE SM:	11LBS 17.5" X 12" X 6"
	5KGS 44,5cm X 30cm X 15cm
CONTOUR TABLE LG:	13LBS 25" X 13" X 6"
	6KGS 63,5cm X 33cm X 15cm

## NOTES

Custom requests can be considered on volume orders



## FINISHES



## DIMENSIONS

TABLE SM

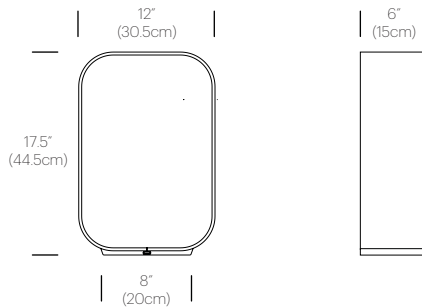
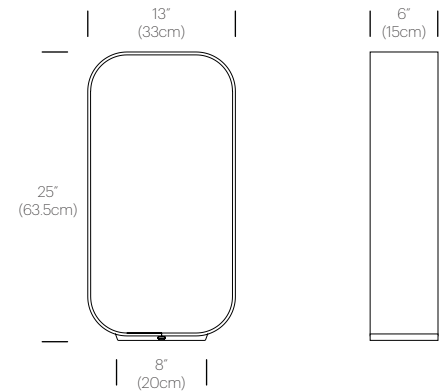


TABLE LG



# CONTOUR FLOOR

## DESCRIPTION

Contour's revealing and elegant open framed architecture captures warm LED illumination within a remarkably slender extruded aluminum structure. Intelligent and highly efficient, Contour's minimalist design has been refined to the bare essentials, creating a rich interior space for your personal belongings while providing an unobstructed view of its surroundings. Contour's premium wood and woven fabric interiors provide an inviting resting place for your books, precious objects, or for charging your mobile devices with its integrated USB port.

## FIXTURE TYPE

Table

## LIGHT SOURCE

(60x) High output LED array

## PRODUCT CODES

Contour Floor White/White Oak):	CONT FLR WHT/OAK
Contour Floor White/Walnut):	CONT FLR WHT/WAL
Contour Floor White/Pearl):	CONT FLR WHT/PEARL
Contour Floor Graphite/White Oak):	CONT FLR GPT/OAK
Contour Floor Graphite/Walnut):	CONT FLR GPT/WAL
Contour Floor Graphite/Coal):	CONT FLR GPT/COAL

## LIGHT CONTROL

Full range dim control (in-line push dimmer)

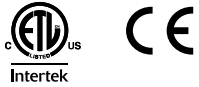
## FEATURES

Glare-free illumination  
USB charging port

## SPECIFICATIONS

Voltage: 120/220V 60Hz  
Power Consumption: 21.5W MAX  
Color temperature: 3000K  
Luminosity: 1185 Lumens  
Luminaire efficacy: 54 Lumens/Watt  
Color Rendition Index: 80+ CRI  
50K hour lifespan  
Cord length: 9' (274cm)  
Global multi-plug adapter available  
1 year warranty

## CERTIFICATIONS



## PACKAGING WEIGHT AND DIMENSIONS

CONTOUR FLOOR:	30LBS	60" X 13" X 6"
	14KGS	152.5cm X 13cm X 15cm

## NOTES

Custom requests can be considered on volume orders



## FINISHES



## DIMENSIONS

### FLOOR

