

Glass Installation Instructions

A66

For Chandeliers with Lower Glass

CAUTION: FAILURE TO INSTALL THIS FIXTURE PROPERLY MAY RESULT IN SERIOUS PERSONAL INJURY OR DEATH AND PROPERTY DAMAGE. We recommend installation by a licensed electrician.

This product must be installed in accordance with applicable installation code(s), by a person familiar with the construction and operation of the product and the hazards involved.*

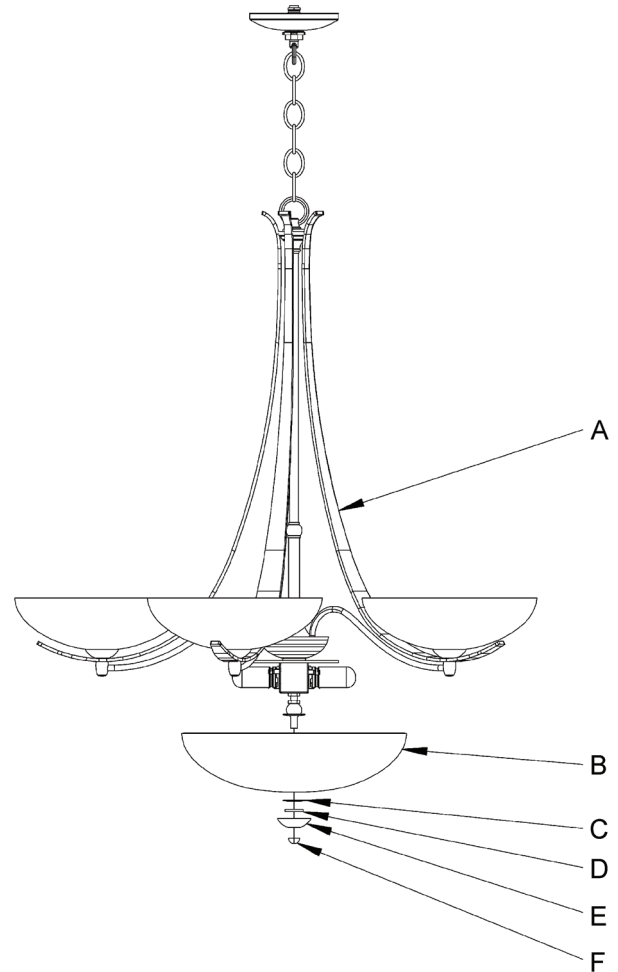
Caution: Do not exceed maximum wattage noted on fixture. Use only recommended bulbs with fixture.

Component Parts

- A Fixture
- B Glass
- C Washer
- D Locknut
- E Vase
- F Ball

To Assemble

1. Remove washer (C), locknut (D), vase (E), and ball (F) from bottom of fixture (A).
2. Install glass (B) to bottom of fixture (A).
3. Install washer (C), locknut (D), vase (E), and ball (F).
4. Tighten ball (F). **Do not to over tighten.**



This illustration represents a typical fixture and may not match every style.

If you need further assistance, or find that you are missing any parts, please contact the dealer from which you purchased this product. We hope you enjoy your fixture!

* Hubbardton Forge will not be liable for injury or damage caused by improper installation, lamping or use of this fixture.