

# Fusion Jack Swag Hook

FJ-SWAGHOOK- 1.0



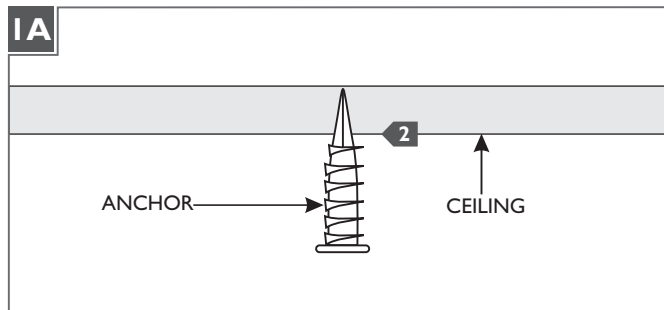
## GENERAL PRODUCT INFORMATION:



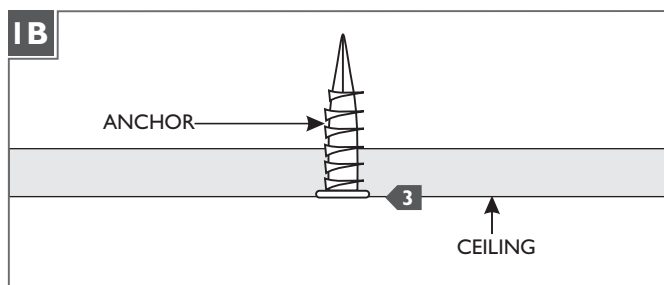
This product must be used with Fusion Jack fixtures only.



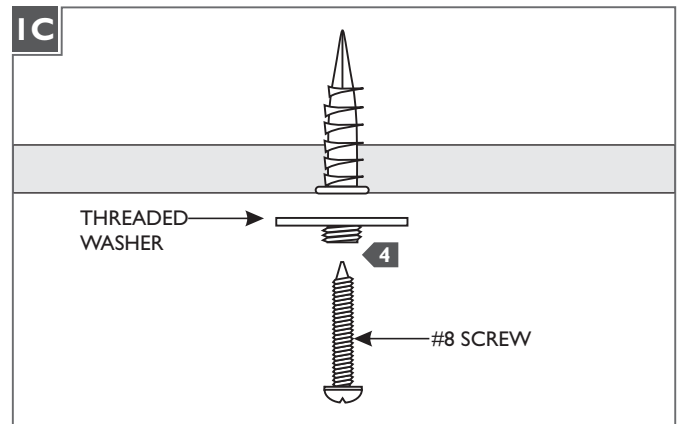
## Mount the Swag Hook



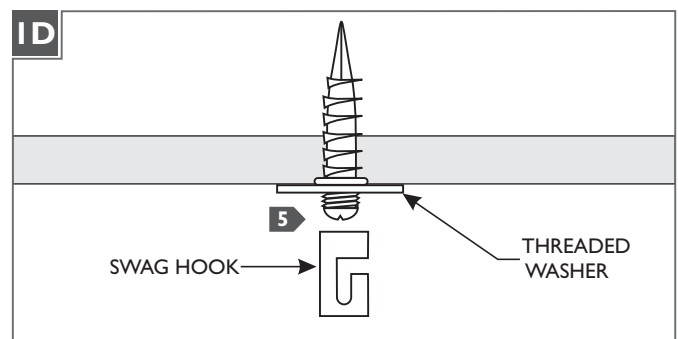
- 1** Mark a point on the ceiling near the fixture where the swag hook is to be mounted.
- 2** Push the anchor at the marked point into the ceiling up to the threaded portion.



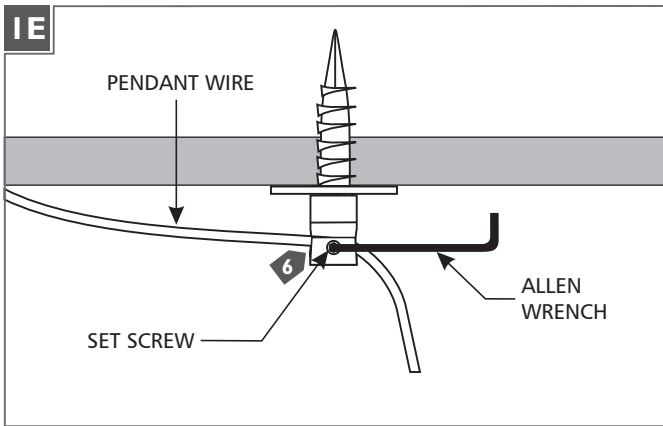
- 3** Screw the anchor in the rest of the way with a Phillips screwdriver.



- 4** Mount the threaded washer to the anchor with the #8 screw.



- 5** Screw the swag hook to the threaded washer.



- 6 Hook the fixture cord into the swag hook and tighten the M4 set screw snugly with the provided 2 MM Allen wrench.

**SAVE THESE INSTRUCTIONS!**

**LBL**

7400 Linder Ave, Skokie, IL 60077  
800.323.3226 - 847.626.6300

[www.lblighting.com](http://www.lblighting.com)

© 2014 LBL Lighting. All rights reserved. The "LBL Lighting" graphic is a registered trademark of LBL Lighting. LBL Lighting reserves the right to change specifications for product improvements without notification.

A Generation Brands Company