

Bowman 4 & 6 Wall

700WSBOW_ 1.1



GENERAL PRODUCT INFORMATION:



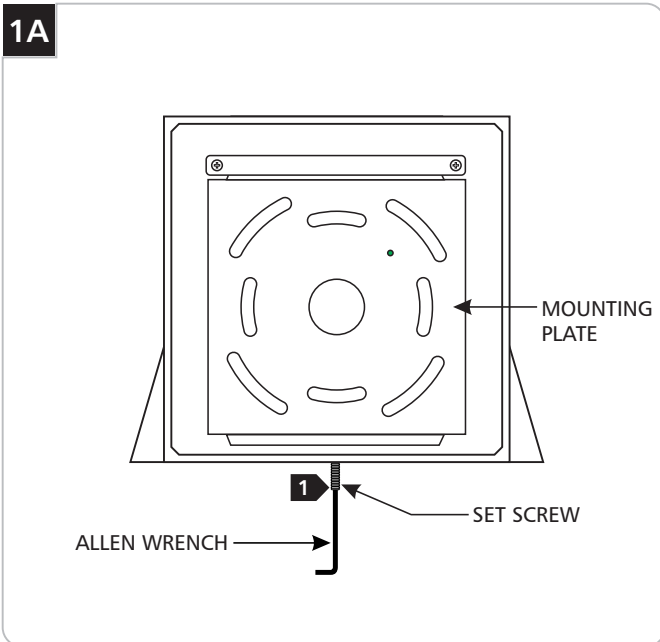
These fixtures are intended to be installed utilizing NEC compliant junction boxes.

This product is suitable for wet locations.

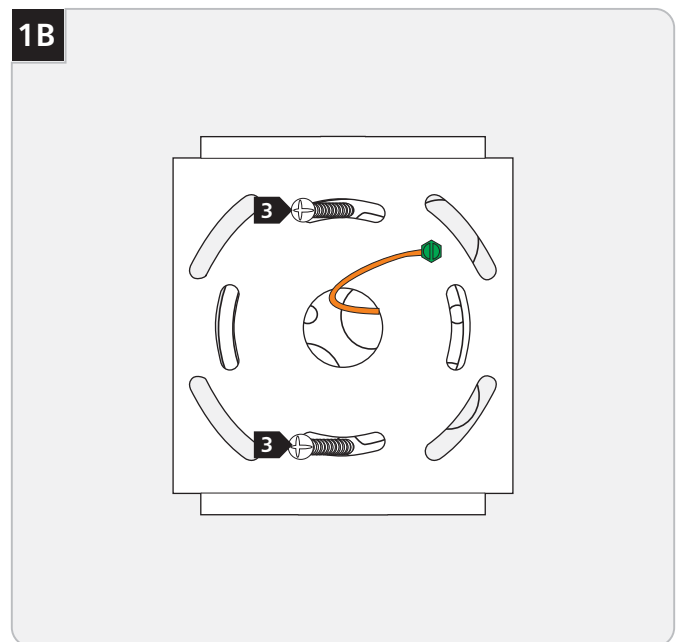
This product may be dimmed with a low-voltage electronic dimmer.

CAUTION - RISK OF FIRE
 This product must be installed in accordance with the applicable installation code by a person familiar with the construction and operation of the product and the hazards involved.
 Use minimum 90°C supply conductors.

Install the Fixture

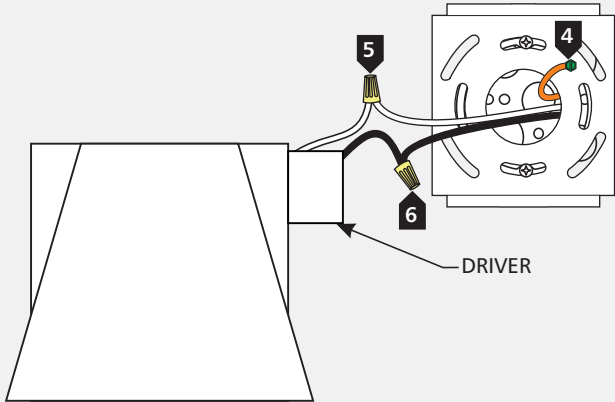


- 1** With the Allen wrench provided, back out (do not fully remove) the set screw at the base of the fixture.
- 2** Remove the mounting plate from the back of the fixture.



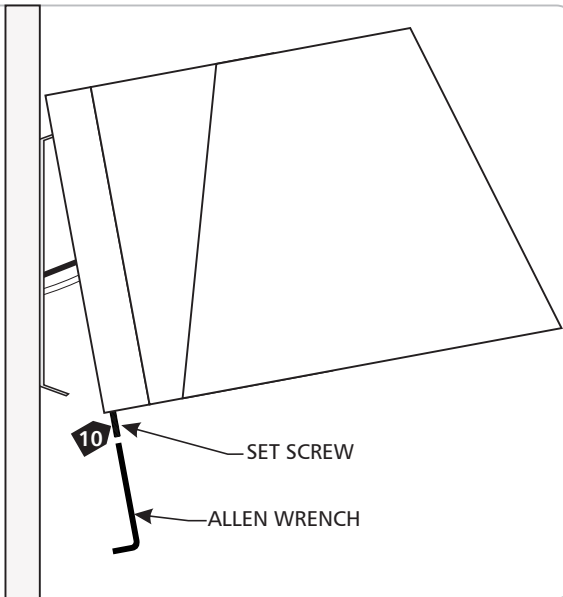
- 3** Attach the mounting plate to the electrical box using the two provided #8-32 screws .

1C



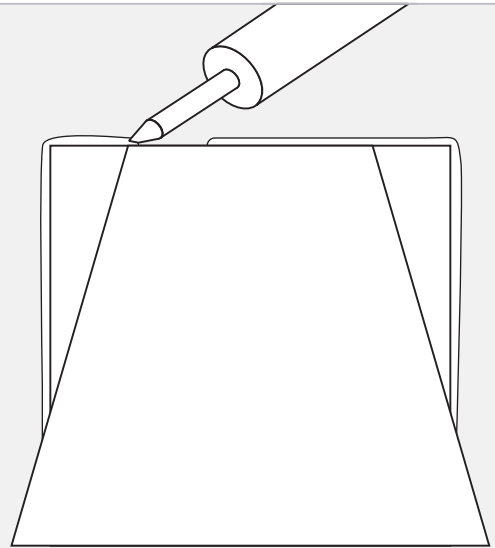
- 4 Connect the ground wire to a suitable ground in accordance with local electrical codes.
- 5 Connect the white driver wire to the neutral power line with a wire nut.
- 6 Connect the black driver wire to the hot power line with a wire nut.
- 7 Place the driver and all wire nut connections neatly into the junction box.

1D



- 8 Properly place all wires and wire nut connections into the electrical box.
- 9 Hook the top of the fixture to the top of the mounting plate and swing the bottom of the fixture toward the plate until it is flush with the wall.
- 10 Tighten the set screw at the bottom of the fixture.

1E



- 11 For wet locations, caulk around the base with waterproof construction sealant.

SAVE THESE INSTRUCTIONS!