

Basis Bath

700BCBAS_ 1.0



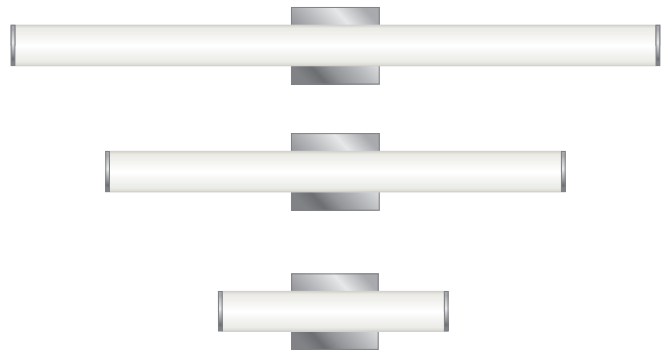
GENERAL PRODUCT INFORMATION:



These fixtures are intended to be installed utilizing NEC compliant junction boxes.

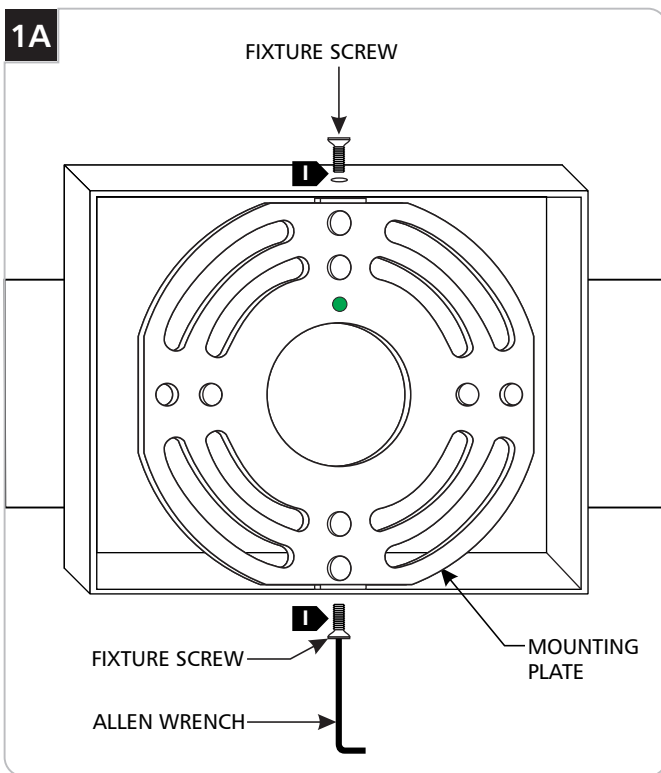
This product may be dimmed with a low-voltage electronic dimmer.

This product is suitable for damp locations.



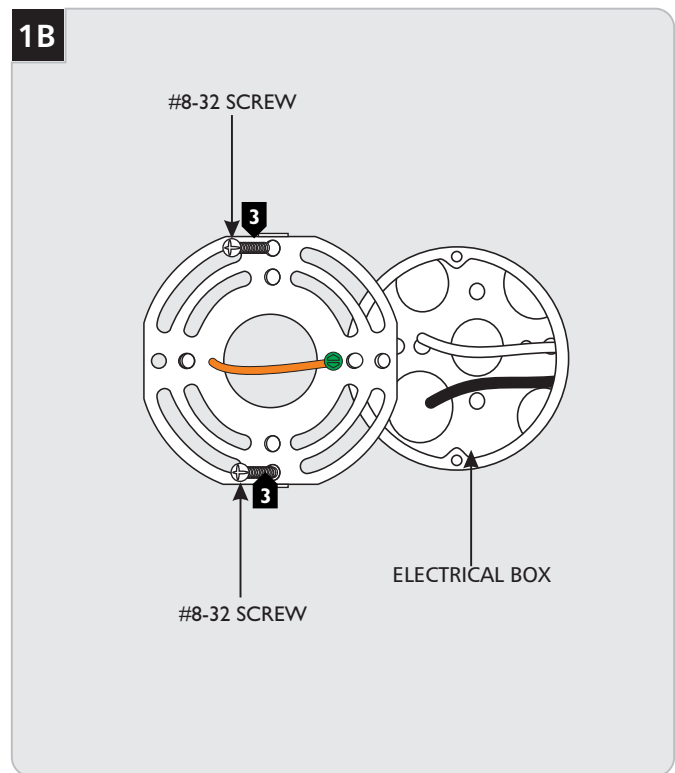
CAUTION - RISK OF FIRE
 This product must be installed in accordance with the applicable installation code by a person familiar with the construction and operation of the product and the hazards involved.
 Use minimum 90°C supply conductors.

Install the Fixture



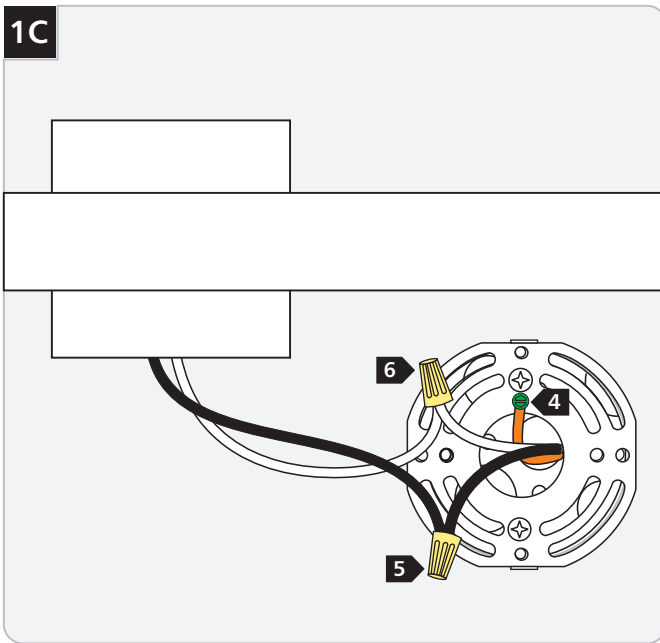
1 Remove the fixture screws located on the top and bottom of the fixture base with the provided Allen wrench.

2 Remove the mounting plate from the fixture base.



3 Install the mounting plate onto the electrical box with the two #8-32 screws provided.

1C



- 4** Connect the mounting plate ground wire to a suitable ground in accordance with local electrical codes.
- 5** Connect the black fixture wire to the hot power line wire with a wire nut.
- 6** Connect the white fixture wire to the neutral power line wire with a wire nut.
- 7** Properly place all wires and wire nut connections into the fixture base.
- 8** Mount the fixture by sliding it back onto the mounting plate and reinstalling the fixture screws (reversal of figure 1A).

SAVE THESE INSTRUCTIONS!